



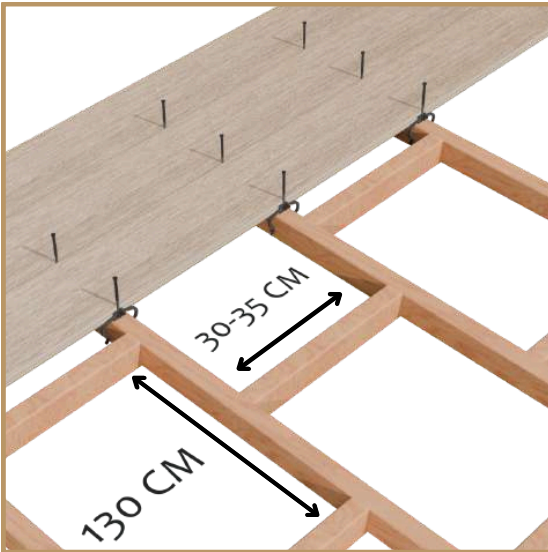
KERAMA

ASSEMBLY MANUAL
DURA
INFINITY
INFINITY PLUS

June 2025



TOP 3 IMPORTANT POINTS



1 LINE SPACING

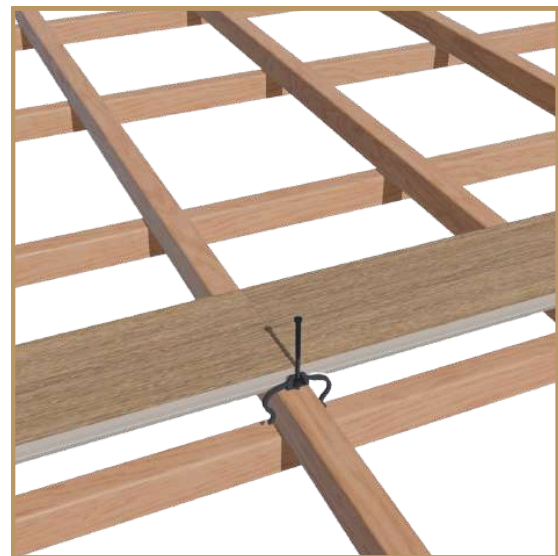
- > Line spacing: Maximum center-to-center distance: 30 - 35 CM.
- > Herringbone / Diagonal Installation: Maximum center-to-center distance: 25 CM.
- > The decking can also be installed in the ground.
- > Use cross-connections every 130 CM.

2 GROUND FIXING

> If NOT directly attached to the subsurface (e.g. with stakes), a DOUBLE FRAMEWORK must be used.



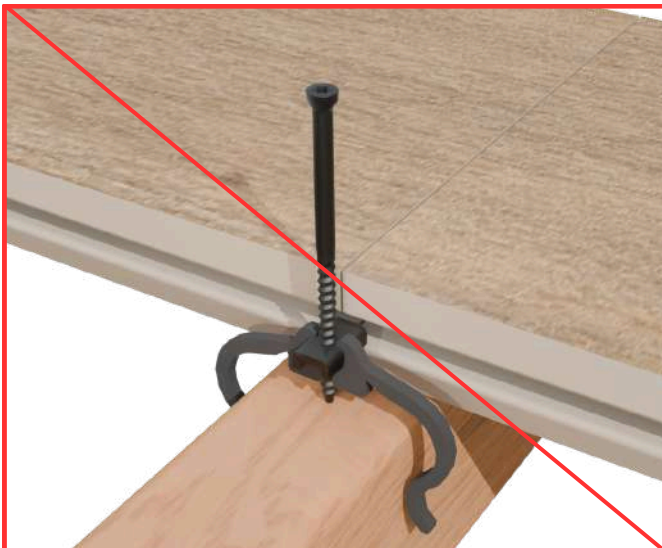
Without ground support or double framing, the boards may bend.



DOUBLE FRAMEWORK

3 USE OF CLIPS

Never fasten the ends of two boards with just one clip.



TOOLS



1 WOOD OR COMPOSITE SAW BLADE

> For accurately cutting decking boards and joists to size.



2 CORDLESS DRILL (NOT A HAMMER DRILL)

> For attaching the cortex/clips and building the substructure.



3 KERAMA CLIPDRIVE

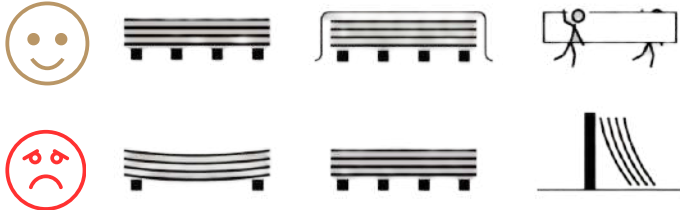
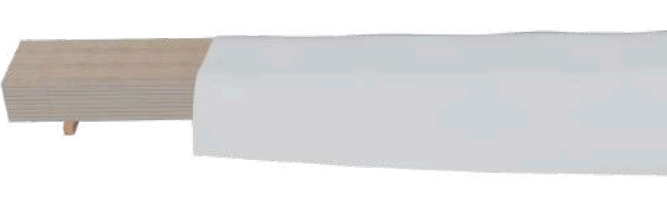
> An ergonomic aid for mounting Edgeloc clips while standing.
> Speeds up installation and reduces strain on your back and knees. The weighted nose ensures you can quickly and easily touch the screw.

4 KERAMA BOARD CLAMP

> This tool clamps onto the joist and locks rows of decking boards together, leaving your hands free to attach the clips.



IMPORTANT POINTS



1 STORAGE

> **Horizontal & Flat:** Always store the boards horizontally on a flat surface.

> **Protection:** Cover the material with a **white, ventilated** tarpaulin to protect it from heating up due to direct sunlight.

Direct Installation: Install the boards immediately after removing the cover. This prevents shrinkage and cracks from forming due to warming.

> **Temperature:** Do not install in extreme temperatures.

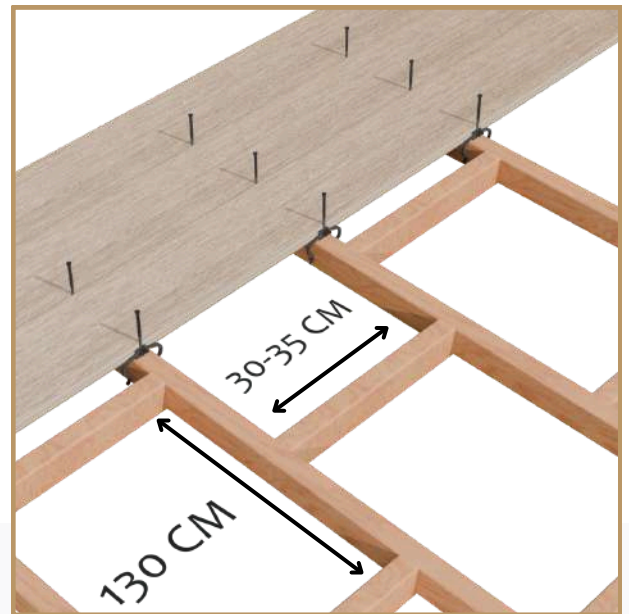
2 SUBCONSTRUCTION

> **Line spacing:** Maximum center-to-center distance: **30 - 35 CM.**

> **Herringbone / Diagonal Installation:** Maximum center-to-center distance: **25 CM.**

> The decking can also be installed **in the ground.**

> Use cross-connections every **130 CM.**



IMPORTANT:

If **NOT** directly attached to the subsurface (e.g. with stakes), a **DOUBLE FRAMEWORK** must be used.

Reason: Without **ground support or double framework**, the boards may **bend** at the ends.



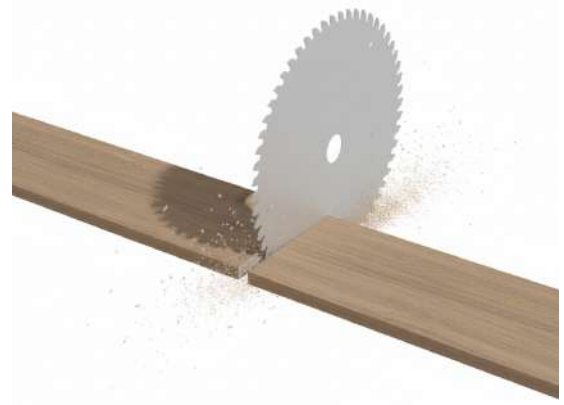
DOUBLE FRAMEWORK

3 CUSTOMIZATION

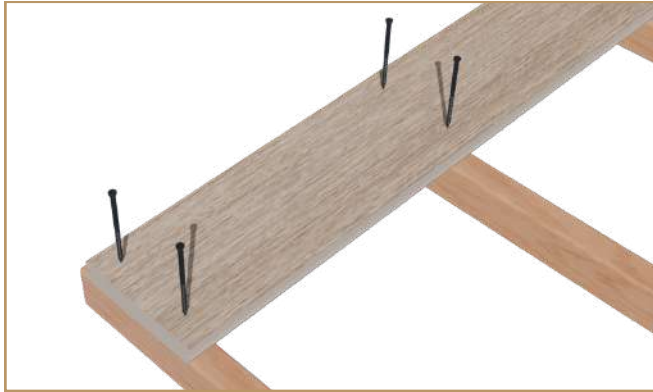
> Cut each board to size; they are delivered oversized and the end edges are not perfectly straight.

> Use a **wood saw** and cut accurately for neat end joints.

> Always saw with the **visible side** of the board facing **downwards**.



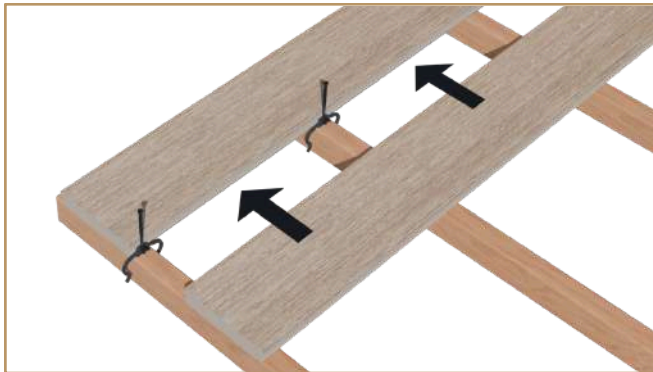
FASTENING 4



1

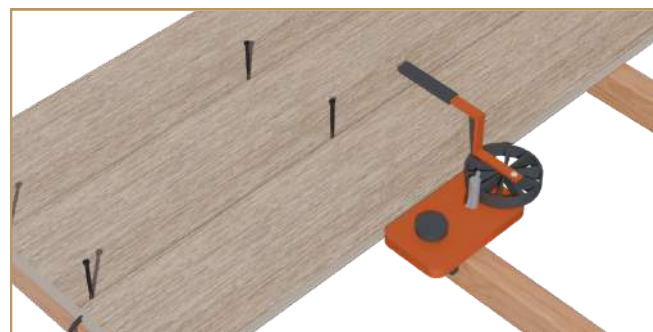
Attach the first and last boards with **Cortex screws**. Use a full board as the first and last boards if the sides remain visible.

> When using Cortex mounting, always use two screws per intersection with the bottom rail.



2

Install the next boards, placing **Edgeloc** fasteners between each board.



3

Secure the boards with the **Kerama Board Clamp**. Maximum 10 boards. Then screw in the **Edgeloc** Clips from the top.

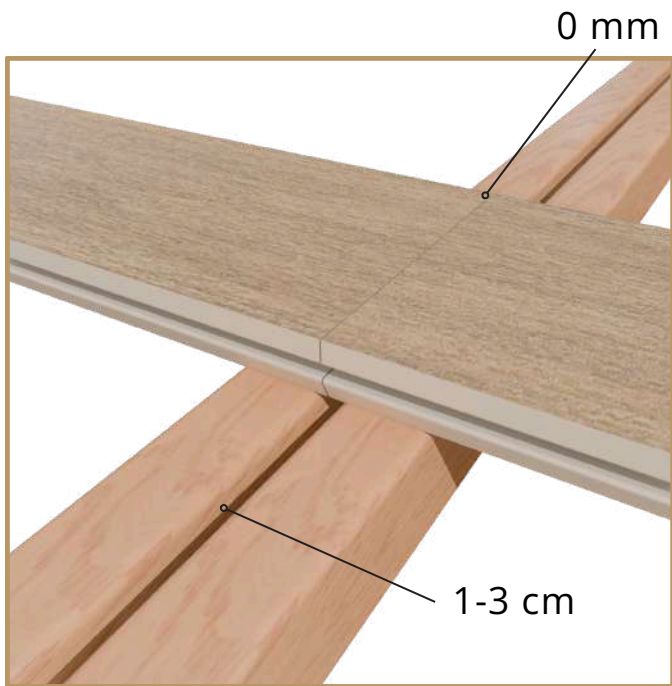
IMPORTANT:

Always secure the ends of the board with two separate clips.



OF





5 EXPANSION

> Under normal circumstances, the boards are mounted cold against each other, **without any expansion space** at the end edges.

> Important installation conditions

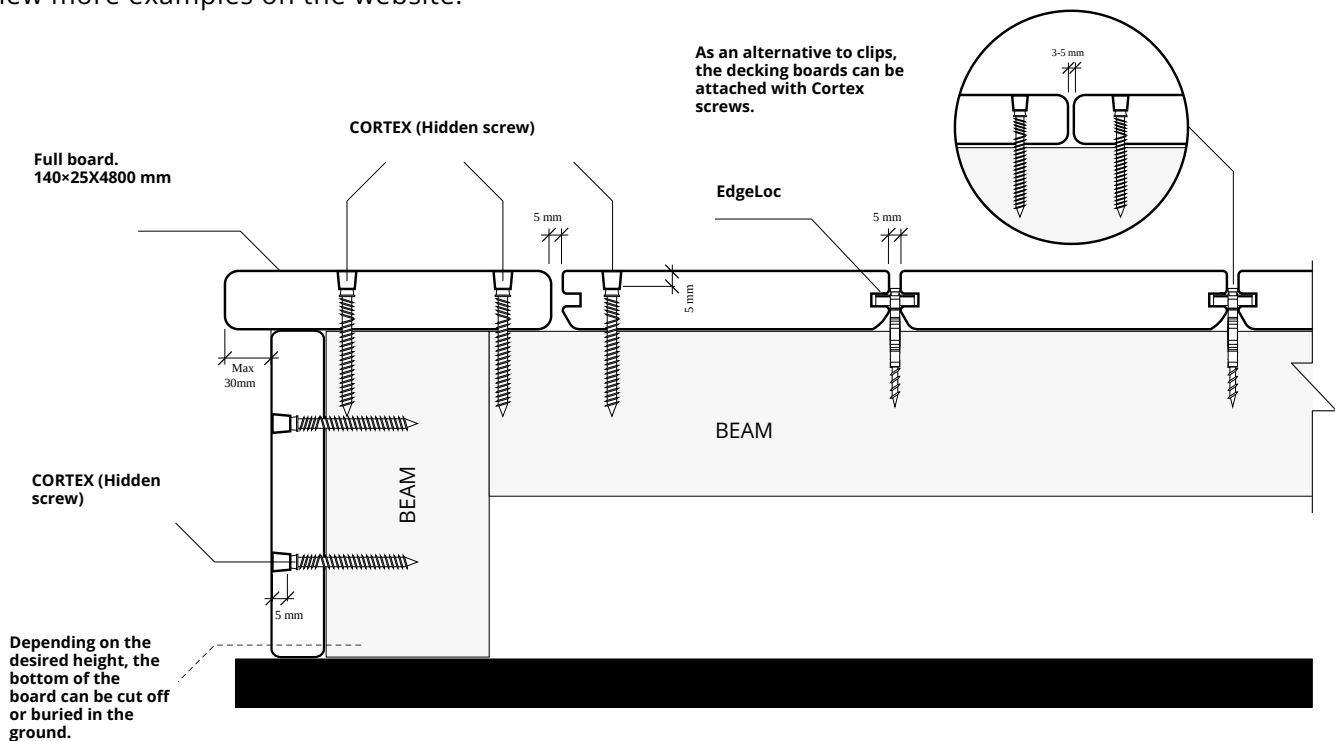
> It is strongly discouraged to install the boards at temperatures below **0°C** and above **30°C**.

> Remove the boards from the pallet and **install them as quickly as possible** to prevent them from heating up in the sun.

> Do not install boards that have already been heated by **direct sunlight**.

6 FINISHING

>View more examples on the website.



7 MAINTENANCE

The boards are UV-resistant without visible discoloration. The material may become dirty over time. Cleaning can be done with water and a mild detergent; careful use of a pressure washer is also possible.

8 Replacing boards



1

Loosen the screws of the clips on both sides of the board to be removed.

2

Pull the board up to easily remove it.



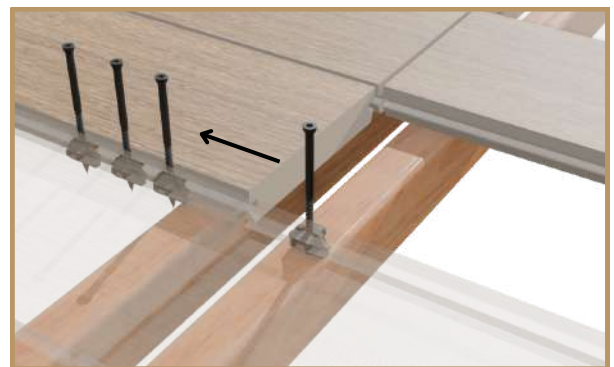
3

Break off the legs of each clip.



4

Slide the loosened clips into the groove of the adjacent boards. Clean the joists and place the new decking board in place.



5

Slide the clips back and tighten the clips firmly.



K E R A M A

KERAMA GROUP B.V.

Braillestraat 10
2652 XV, Berkel and Rodenrijs
The Netherlands

+31 (0) 174 788 350
info@keramagroup.nl

www.keramagroup.nl